

Air-Conditioners PUHZ-SHW•HA

Air to Water Heat Pump PUHZ-SHW•HA PUHZ-SHW•KA

INSTALLATION MANUAL

FOR INSTALLER

For safe and correct use, read this manual and the indoor unit installation manual thoroughly before installing the outdoor unit. English is original. The other languages versions are translation of the original.

English

INSTALLATIONSHANDBUCH

FÜR INSTALLATEURE

Für den sicheren und korrekten Gebrauch lesen Sie dieses Handbuch und das Installationshandbuch für das Innengerät sorgfältig durch, bevor Sie die Außenanlage installieren. Das Original ist in Englisch. Die anderen Sprachversionen sind vom Original übersetzt.

Deutsch

MANUEL D'INSTALLATION

POUR L'INSTALLATEUR

Avant d'installer l'appareil extérieur, lire attentivement ce manuel ainsi que le manuel d'installation de l'appareil intérieur. L'anglais est l'original. Les versions fournies dans d'autres langues sont des traductions de l'original.

Français

INSTALLATIEHANDLEIDING

VOOR DE INSTALLATEUR

Lees voor een veilig en correct gebruik eerst deze handleiding en de installatiehandleiding van de binnenapparaat zorgvuldig door voordat u met het installeren van de buitenapparaat begint. Het Engels is het origineel. De andere taalraat versies zijn vertalingen van het origineel.

Nederlands

MANUAL DE INSTALACIÓN

PARA EL INSTALADOR

Para un uso correcto y seguro, lea detalladamente este manual y el manual de instalación de la unidad interior antes de instalar la unidad exterior. El idioma original del documento es el inglés. Las versiones en los demás idiomas son traducciones del original.

Español

MANUALE DI INSTALLAZIONE

PER L'INSTALLATORE

Per un uso sicuro e corretto, leggere attentamente il presente manuale ed il manuale d'installazione dell'unità interna prima di installare l'unità esterna. Il testo originale è redatto in lingua Inglese. Le altre versioni linguistiche rappresentano traduzioni dell'originale.

Italiano

ΕΓΧΕΙΡΙΔΙΟ ΟΔΗΓΙΩΝ ΕΓΚΑΤΑΣΤΑΣΗΣ

ΓΙΑ ΑΥΤΟΝ ΠΟΥ ΚΑΝΕΙ ΤΗΝ ΕΓΚΑΤΑΣΤΑΣΗ

Για σωστή και ασφαλή χρήση, διαβάστε προσεκτικά αυτό το εγχειρίδιο καθώς και το εγχειρίδιο εγκατάστασης της εσωτερικής μονάδας, πριν εγκαταστήσετε την εξωτερική μονάδα. Η γλώσσα του πρωτοτύπου είναι η αγγλική. Οι εκδόσεις άλλων γλωσσών είναι μεταφράσεις του πρωτοτύπου.

Ελληνικά

MANUAL DE INSTALAÇÃO

PARA O INSTALADOR

Para uma utilização segura e correcta, leia atentamente este manual e o manual de instalação da unidade interior antes de instalar a unidade exterior. O idioma original é o inglês. As versões em outros idiomas são traduções do idioma original.

Português

INSTALLATIONSMANUAL

TIL INSTALLATØREN

Læs af sikkerhedshensyn denne manual samt manualen til installation af indendørsenheden grundigt, før du installerer udendørsenheden. Engelsk er originalen. De andre sprogversioner er oversættelser af originalen.

Dansk

INSTALLATIONSMANUAL

FÖR INSTALLATÖREN

Läs den här bruksanvisningen och inomhusenhetens installationshandbok noga innan utomhusenheten installeras så att den används på ett säkert och korrekt sätt. Engelska är originalspråket. De övriga språkversionerna är översättningar av originalet.

Svenska

MONTAJ ELKİTABI

MONTÖR İÇİN

Güvenli ve doğru kullanım için, dış üniteyi monte etmeden önce bu kılavuzu ve iç ünite montaj kılavuzunu dikkatlice okuyun. Aslı İngilizce'dir. Diğer dillerdeki sürümler aslının çevirisidir.

Türkçe

РУКОВОДСТВО ПО УСТАНОВКЕ

ДЛЯ УСТАНОВИТЕЛЯ

Для обеспечения безопасной и надлежащей эксплуатации внимательно прочтите данное руководство и руководство по установке внутреннего прибора перед установкой наружного блока. Языком оригинала является английский. Версии на других языках являются переводом оригинала.

Русский

INSTALLERINGSHÅNDBOK

FOR MONTØREN

For å sikre trygg og riktig bruk skal denne håndboken samt installasjonshåndboken for innendørsenheten leses grundig igjennom før enheten installeres. Engelsk er originalspråket. De andre språkversjonene er oversettelser av originalen.

Norsk

ASENNUSOPAS

ASENTAJALLE

Turvallisen ja asianmukaisen käytön varmistamiseksi lue tämä opas sekä sisäyksikön asennusopas huolellisesti ennen yksikön asentamista. Alkuperäiskieli on englanti. Muut kieliversiot ovat alkuperäisen käännöksiä.

Suomi

Contents

| | | | |
|--|---|--|----|
| 1. Safety precautions..... | 2 | 7. Electrical work | 9 |
| 2. Installation location | 3 | 8. Test run | 11 |
| 3. Installing the outdoor unit | 5 | 9. Initial settings for refrigerant leakage detection function | 11 |
| 4. Installing the refrigerant piping | 5 | 10. Special Functions | 12 |
| 5. Drainage piping work..... | 9 | 11. System control..... | 13 |
| 6. Water piping work..... | 9 | | |



Note: This symbol mark is for EU countries only.

This symbol mark is according to the directive 2002/96/EC Article 10 Information for users and Annex IV.

Your MITSUBISHI ELECTRIC product is designed and manufactured with high quality materials and components which can be recycled and reused.

This symbol means that electrical and electronic equipment, at their end-of-life, should be disposed of separately from your household waste.

Please, dispose of this equipment at your local community waste collection/recycling centre.

In the European Union there are separate collection systems for used electrical and electronic product.

Please, help us to conserve the environment we live in!

⚠ Caution:

• Do not vent R410A into the Atmosphere:

• R410A is a Fluorinated Greenhouse gas, covered by the Kyoto Protocol, with a Global Warming Potential (GWP)=1975.

1. Safety precautions

- ▶ Before installing the unit, make sure you read all the "Safety precautions".
- ▶ Please report to or take consent by the supply authority before connection to the system.
- ▶ Equipment complying with IEC/EN 61000-3-12 (PUHZ-SHW80/112VHA)
- ▶ PUHZ-SHW230YKA
"This equipment complies with IEC 61000-3-12 provided that the short-circuit power S_{sc} is greater than or equal to $S_{sc}(*1)$ at the interface point between the user's supply and the public system. It is the responsibility of the installer or user of the equipment to ensure, by consultation with the distribution network operator if necessary, that the equipment is connected only to a supply with a short-circuit power S_{sc} greater than or equal to $S_{sc}(*1)$ "

| Model | S_{sc} (MVA) |
|----------------|----------------|
| PUHZ-SHW230YKA | 1.35 |

⚠ Warning:

Describes precautions that must be observed to prevent danger of injury or death to the user.

⚠ Caution:

Describes precautions that must be observed to prevent damage to the unit.

After installation work has been completed, explain the "Safety Precautions," use, and maintenance of the unit to the customer according to the information in the Operation Manual and perform the test run to ensure normal operation. Both the Installation Manual and Operation Manual must be given to the user for keeping. These manuals must be passed on to subsequent users.

⚡ : Indicates a part which must be grounded.

⚠ Warning:

Carefully read the labels affixed to the main unit.

⚠ Warning:

- The unit must not be installed by the user. Ask a dealer or an authorized technician to install the unit. If the unit is installed incorrectly, water leakage, electric shock, or fire may result.
- For installation work, follow the instructions in the Installation Manual and use tools and pipe components specifically made for use with R410A refrigerant. The R410A refrigerant in the HFC system is pressurized 1.6 times the pressure of usual refrigerants. If pipe components not designed for R410A refrigerant are used and the unit is not installed correctly, the pipes may burst and cause damage or injuries. In addition, water leakage, electric shock, or fire may result.
- The unit must be installed according to the instructions in order to minimize the risk of damage from earthquakes, typhoons, or strong winds. An incorrectly installed unit may fall down and cause damage or injuries.
- The unit must be securely installed on a structure that can sustain its weight. If the unit is mounted on an unstable structure, it may fall down and cause damage or injuries.
- If the outdoor unit is installed in a small room, measures must be taken to prevent the refrigerant concentration in the room from exceeding the safety limit in the event of refrigerant leakage. Consult a dealer regarding the appropriate measures to prevent the allowable concentration from being exceeded. Should the refrigerant leak and cause the concentration limit to be exceeded, hazards due to lack of oxygen in the room may result.
- Ventilate the room if refrigerant leaks during operation. If refrigerant comes into contact with a flame, poisonous gases will be released.
- All electric work must be performed by a qualified technician according to local regulations and the instructions given in this manual. The units must be powered by dedicated power lines and the correct voltage and circuit breakers must be used. Power lines with insufficient capacity or incorrect electrical work may result in electric shock or fire.
- Use C1220 copper phosphorus, for copper and copper alloy seamless pipes, to connect the refrigerant pipes. If the pipes are not connected correctly, the unit will not be properly grounded and electric shock may result.

- Use only specified cables for wiring. The wiring connections must be made securely with no tension applied on the terminal connections. Also, never splice the cables for wiring (unless otherwise indicated in this document). Failure to observe these instructions may result in overheating or a fire.
- The terminal block cover panel of the outdoor unit must be firmly attached. If the cover panel is mounted incorrectly and dust and moisture enter the unit, electric shock or fire may result.
- When installing or relocating, or servicing the outdoor unit, use only the specified refrigerant (R410A) to charge the refrigerant lines. Do not mix it with any other refrigerant and do not allow air to remain in the lines. If air is mixed with the refrigerant, then it can be the cause of abnormal high pressure in the refrigerant line, and may result in an explosion and other hazards.
The use of any refrigerant other than that specified for the system will cause mechanical failure or system malfunction or unit breakdown. In the worst case, this could lead to a serious impediment to securing product safety.
- Use only accessories authorized by Mitsubishi Electric and ask a dealer or an authorized technician to install them. If accessories are incorrectly installed, water leakage, electric shock, or fire may result.
- Do not alter the unit. Consult a dealer for repairs. If alterations or repairs are not performed correctly, water leakage, electric shock, or fire may result.
- The user should never attempt to repair the unit or transfer it to another location. If the unit is installed incorrectly, water leakage, electric shock, or fire may result. If the outdoor unit must be repaired or moved, ask a dealer or an authorized technician.
- After installation has been completed, check for refrigerant leaks. If refrigerant leaks into the room and comes into contact with the flame of a heater or portable cooking range, poisonous gases will be released.

1.1. Before installation

⚠ Caution:

- Do not use the unit in an unusual environment. If the outdoor unit is installed in areas exposed to steam, volatile oil (including machine oil), or sulfuric gas, areas exposed to high salt content such as the seaside, or areas where the unit will be covered by snow, the performance can be significantly reduced and the internal parts can be damaged.
- Do not install the unit where combustible gases may leak, be produced, flow, or accumulate. If combustible gas accumulates around the unit, fire or explosion may result.

- The outdoor unit produces condensation during the heating operation. Make sure to provide drainage around the outdoor unit if such condensation is likely to cause damage.
- When installing the unit in a hospital or communications office, be prepared for noise and electronic interference. Inverters, home appliances, high-frequency medical equipment, and radio communications equipment can cause the outdoor unit to malfunction or breakdown. The outdoor unit may also affect medical equipment, disturbing medical care, and communications equipment, harming the screen display quality.

1. Safety precautions

1.2. Before installation (relocation)

⚠ Caution:

- Be extremely careful when transporting or installing the units. 2 or more persons are needed to handle the unit, as it weighs 20 kg or more. Do not grasp the packaging bands. Wear protective gloves to remove the unit from the packaging and to move it, as you can injure your hands on the fins or the edge of other parts.
- Be sure to safely dispose of the packaging materials. Packaging materials, such as nails and other metal or wooden parts may cause stabs or other injuries.

- The base and attachments of the outdoor unit must be periodically checked for looseness, cracks or other damage. If such defects are left uncorrected, the unit may fall down and cause damage or injuries.
- Do not clean the outdoor unit with water. Electric shock may result.
- Tighten all flare nuts to specification using a torque wrench. If tightened too much, the flare nut can break after an extended period and refrigerant can leak out.

1.3. Before electric work

⚠ Caution:

- Be sure to install circuit breakers. If not installed, electric shock may result.
- For the power lines, use standard cables of sufficient capacity. Otherwise, a short circuit, overheating, or fire may result.
- When installing the power lines, do not apply tension to the cables. If the connections are loosened, the cables can snap or break and overheating or fire may result.

- Be sure to ground the unit. Do not connect the ground wire to gas or water pipes, lightning rods, or telephone grounding lines. If the unit is not properly grounded, electric shock may result.
- Use circuit breakers (ground fault interrupter, isolating switch (+B fuse), and molded case circuit breaker) with the specified capacity. If the circuit breaker capacity is larger than the specified capacity, breakdown or fire may result.

1.4. Before starting the test run

⚠ Caution:

- Turn on the main power switch more than 12 hours before starting operation. Starting operation just after turning on the power switch can severely damage the internal parts. Keep the main power switch turned on during the operation season.
- Before starting operation, check that all panels, guards and other protective parts are correctly installed. Rotating, hot, or high voltage parts can cause injuries.
- Do not touch any switch with wet hands. Electric shock may result.

- Do not touch the refrigerant pipes with bare hands during operation. The refrigerant pipes are hot or cold depending on the condition of the flowing refrigerant. If you touch the pipes, burns or frostbite may result.
- After stopping operation, be sure to wait at least five minutes before turning off the main power switch. Otherwise, water leakage or breakdown may result.

1.5. Using R410A refrigerant outdoor unit

⚠ Caution:

- Use C1220 copper phosphorus, for copper and copper alloy seamless pipes, to connect the refrigerant pipes. Make sure the insides of the pipes are clean and do not contain any harmful contaminants such as sulfuric compounds, oxidants, debris, or dust. Use pipes with the specified thickness. (Refer to 4.1.) Note the following if reusing existing pipes that carried R22 refrigerant.
 - Replace the existing flare nuts and flare the flared sections again.
 - Do not use thin pipes. (Refer to 4.1.)
- Store the pipes to be used during installation indoors and keep both ends of the pipes sealed until just before brazing. (Leave elbow joints, etc. in their packaging.) If dust, debris, or moisture enters the refrigerant lines, oil deterioration or compressor breakdown may result.
- Use ester oil, ether oil, alkylbenzene oil (small amount) as the refrigeration oil applied to the flared sections. If mineral oil is mixed in the refrigeration oil, oil deterioration may result.

- Do not use refrigerant other than R410A refrigerant. If another refrigerant is used, the chlorine will cause the oil to deteriorate.
- Use the following tools specifically designed for use with R410A refrigerant. The following tools are necessary to use R410A refrigerant. Contact your nearest dealer for any questions.

| Tools (for R410A) | |
|-------------------|---------------------------------------|
| Gauge manifold | Flare tool |
| Charge hose | Size adjustment gauge |
| Gas leak detector | Vacuum pump adapter |
| Torque wrench | Electronic refrigerant charging scale |

- Be sure to use the correct tools. If dust, debris, or moisture enters the refrigerant lines, refrigeration oil deterioration may result.
- Do not use a charging cylinder. If a charging cylinder is used, the composition of the refrigerant will change and the efficiency will be lowered.

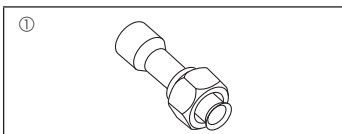


Fig. 1-1

1.6. Accessories of outdoor unit (Fig. 1-1) (SHW230)

The parts show in the left are the accessories of this unit, which are affixed to the inside of the service panel.

- ① Joint pipe.....x1

2. Installation location

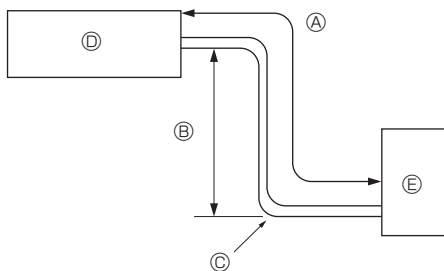


Fig. 2-1

2.1. Refrigerant pipe (Fig. 2-1)

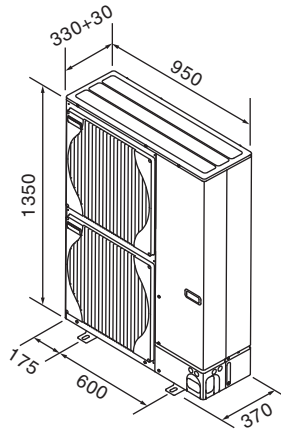
- ▶ Check that the difference between the heights of the indoor and outdoor units, the length of refrigerant pipe, and the number of bends in the pipe are within the limits shown below.

| Models | Ⓐ Pipe length (one way) | Ⓑ Height difference | Ⓒ Number of bends (one way) |
|-----------------|-------------------------|---------------------|-----------------------------|
| SHW80, 112, 140 | Max. 75 m | Max. 30 m | Max. 15 |
| SHW230 | Max. 80 m | Max. 30 m | Max. 15 |

- Height difference limitations are binding regardless of which unit, indoor or outdoor, is positioned higher.
 - Ⓓ Indoor unit
 - Ⓔ Outdoor unit

2. Installation location

■ SHW80, 112, 140



■ SHW230

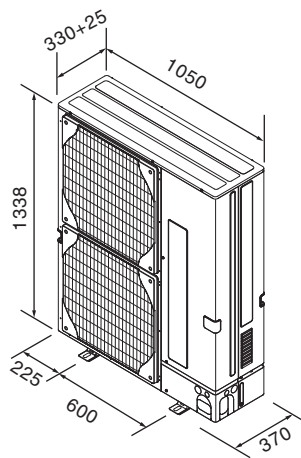


Fig. 2-2

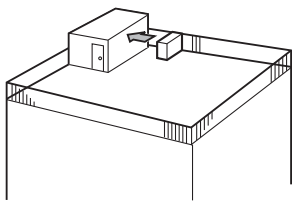


Fig. 2-3

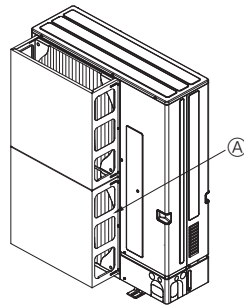


Fig. 2-4

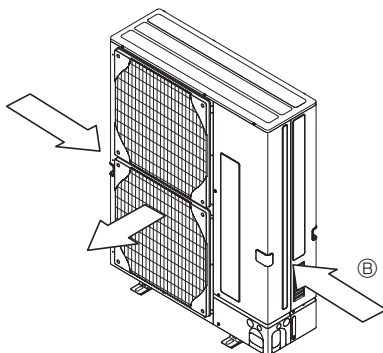


Fig. 2-5

2.2. Choosing the outdoor unit installation location

- Avoid locations exposed to direct sunlight or other sources of heat.
- Select a location from which noise emitted by the unit will not inconvenience neighbors.
- Select a location permitting easy wiring and pipe access to the power source and indoor unit.
- Avoid locations where combustible gases may leak, be produced, flow, or accumulate.
- Note that water may drain from the unit during operation.
- Select a level location that can bear the weight and vibration of the unit.
- Avoid locations where the unit can be covered by snow. In areas where heavy snow fall is anticipated, special precautions such as raising the installation location or installing a hood on the air intake must be taken to prevent the snow from blocking the air intake or blowing directly against it. This can reduce the airflow and a malfunction may result.
- Avoid locations exposed to oil, steam, or sulfuric gas.
- Use the transportation handles of the outdoor unit to transport the unit. If the unit is carried from the bottom, hands or fingers may be pinched.

2.3. Outline dimensions (Outdoor unit) (Fig. 2-2)

2.4. Ventilation and service space

2.4.1. Windy location installation

When installing the outdoor unit on a rooftop or other location unprotected from the wind, situate the air outlet of the unit so that it is not directly exposed to strong winds. Strong wind entering the air outlet may impede the normal airflow and a malfunction may result.

The following shows three examples of precautions against strong winds.

- ① Face the air outlet towards the nearest available wall about 50 cm away from the wall. (Fig. 2-3)
- ② Install an optional air guide if the unit is installed in a location where strong winds from a typhoon, etc. may directly enter the air outlet. (Fig. 2-4)
 - Ⓐ Air protection guide
- ③ Position the unit so that the air outlet blows perpendicularly to the seasonal wind direction, if possible. (Fig. 2-5)
 - Ⓑ Wind direction

2.4.2. When installing a single outdoor unit (Refer to the last page)

Minimum dimensions are as follows, except for Max., meaning Maximum dimensions, indicated.

Refer to the figures for each case.

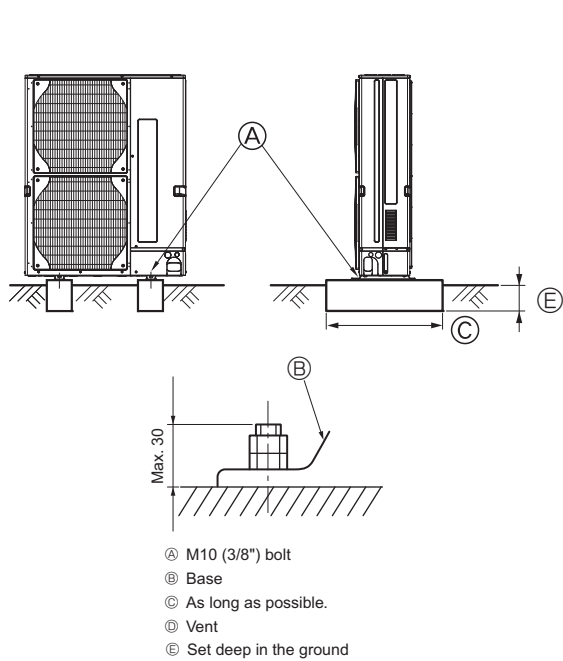
- ① Obstacles at rear only (Fig. 2-6)
- ② Obstacles at rear and above only (Fig. 2-7)
- ③ Obstacles at rear and sides only (Fig. 2-8)
- ④ Obstacles at front only (Fig. 2-9)
 - * When using the optional air outlet guides, the clearance is 500 mm or more.
- ⑤ Obstacles at front and rear only (Fig. 2-10)
 - * When using the optional air outlet guides, the clearance is 500 mm or more.
- ⑥ Obstacles at rear, sides, and above only (Fig. 2-11)
 - Do not install the optional air outlet guides for upward airflow.

2.4.3. When installing multiple outdoor units (Refer to the last page)

Leave 10 mm space or more between the units.

- ① Obstacles at rear only (Fig. 2-12)
- ② Obstacles at rear and above only (Fig. 2-13)
 - No more than 3 units must be installed side by side. In addition, leave space as shown.
 - Do not install the optional air outlet guides for upward airflow.
- ③ Obstacles at front only (Fig. 2-14)
 - * When using the optional air outlet guides, the clearance is 1000 mm or more.
- ④ Obstacles at front and rear only (Fig. 2-15)
 - * When using the optional air outlet guides, the clearance is 1000 mm or more.
- ⑤ Single parallel unit arrangement (Fig. 2-16)
 - * When using the optional air outlet guides installed for upward airflow, the clearance is 1000 mm or more.
- ⑥ Multiple parallel unit arrangement (Fig. 2-17)
 - * When using the optional air outlet guides installed for upward airflow, the clearance is 1500 mm or more.
- ⑦ Stacked unit arrangement (Fig. 2-18)
 - The units can be stacked up to 2 units high.
 - No more than 2 stacked units must be installed side by side. In addition, leave space as shown.

3. Installing the outdoor unit



- Be sure to install the unit in a sturdy, level surface to prevent rattling noises during operation. (Fig. 3-1)

<Foundation specifications>

| | |
|-------------------------|------------|
| Foundation bolt | M10 (3/8") |
| Thickness of concrete | 120 mm |
| Length of bolt | 70 mm |
| Weight-bearing capacity | 320 kg |

- Make sure that the length of the foundation bolt is within 30 mm of the bottom surface of the base.
- Secure the base of the unit firmly with four-M10 foundation bolts in sturdy locations.

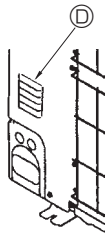
Installing the outdoor unit

- Do not block the vent. If the vent is blocked, operation will be hindered and breakdown may result.
- In addition to the unit base, use the installation holes on the back of the unit to attach wires, etc., if necessary to install the unit. Use self-tapping screws ($\phi 5 \times 15$ mm or less) and install on site.

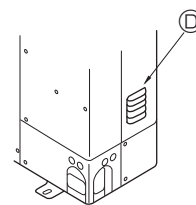
⚠ Warning:

- The unit must be securely installed on a structure that can sustain its weight. If the unit is mounted on an unstable structure, it may fall down and cause damage or injuries.
- The unit must be installed according to the instructions in order to minimize the risk of damage from earthquakes, typhoons, or strong winds. An incorrectly installed unit may fall down and cause damage or injuries.

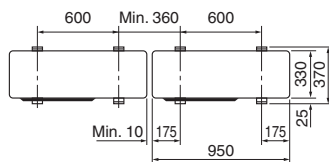
■ SHW80, 112, 140



■ SHW230



■ SHW80, 112, 140



■ SHW230

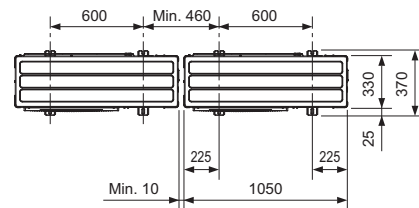


Fig. 3-1

4. Installing the refrigerant piping

4.1. Precautions for devices that use R410A refrigerant

- Refer to 1.5. for precautions not included below on using outdoor unit with R410A refrigerant.
- Use ester oil, ether oil, alkylbenzene oil (small amount) as the refrigeration oil applied to the flared sections.
- Use C1220 copper phosphorus, for copper and copper alloy seamless pipes, to connect the refrigerant pipes. Use refrigerant pipes with the thicknesses specified in the table to the below. Make sure the insides of the pipes are clean and do not contain any harmful contaminants such as sulfuric compounds, oxidants, debris, or dust. Always apply no-oxidation brazing when brazing the pipes, otherwise, the compressor will be damaged.

⚠ Warning:

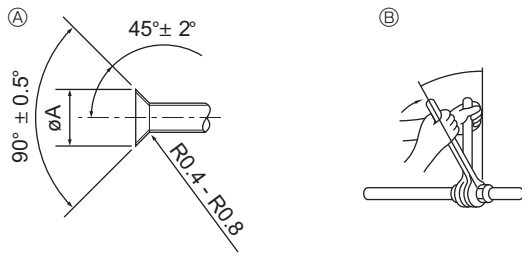
When installing or relocating, or servicing the outdoor unit, use only the specified refrigerant (R410A) to charge the refrigerant lines. Do not mix it with any other refrigerant and do not allow air to remain in the lines. If air is mixed with the refrigerant, then it can be the cause of abnormal high pressure in the refrigerant line, and may result in an explosion and other hazards.

The use of any refrigerant other than that specified for the system will cause mechanical failure or system malfunction or unit breakdown. In the worst case, this could lead to a serious impediment to securing product safety.

| | | | | | | | | |
|----------------|-------------|-------------|-------------|--------------|--------------|-------------|-------------|--------------|
| Pipe size (mm) | $\phi 6.35$ | $\phi 9.52$ | $\phi 12.7$ | $\phi 15.88$ | $\phi 19.05$ | $\phi 22.2$ | $\phi 25.4$ | $\phi 28.58$ |
| Thickness (mm) | 0.8 | 0.8 | 0.8 | 1.0 | 1.0 | 1.0 | 1.0 | 1.0 |

- Do not use pipes thinner than those specified above.
- Use 1/2 H or H pipes if the diameter is 19.05 mm or larger.

4. Installing the refrigerant piping



- Ⓐ Flare cutting dimensions
Ⓑ Flare nut tightening torque

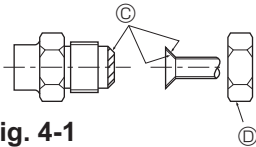


Fig. 4-1

Ⓐ (Fig. 4-1)

| Copper pipe O.D. (mm) | Flare dimensions φA dimensions (mm) |
|--------------------------|--|
| φ6.35 | 8.7 - 9.1 |
| φ9.52 | 12.8 - 13.2 |
| φ12.7 | 16.2 - 16.6 |
| φ15.88 | 19.3 - 19.7 |
| φ19.05 | 23.6 - 24.0 |

Ⓑ (Fig. 4-1)

| Copper pipe O.D. (mm) | Flare nut O.D. (mm) | Tightening torque (N·m) |
|--------------------------|------------------------|----------------------------|
| φ6.35 | 17 | 14 - 18 |
| φ6.35 | 22 | 34 - 42 |
| φ9.52 | 22 | 34 - 42 |
| φ12.7 | 26 | 49 - 61 |
| φ12.7 | 29 | 68 - 82 |
| φ15.88 | 29 | 68 - 82 |
| φ15.88 | 36 | 100 - 120 |
| φ19.05 | 36 | 100 - 120 |

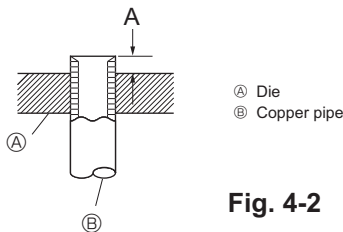
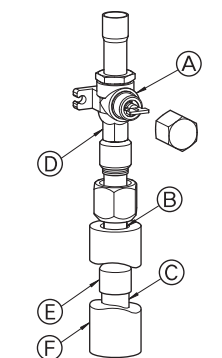
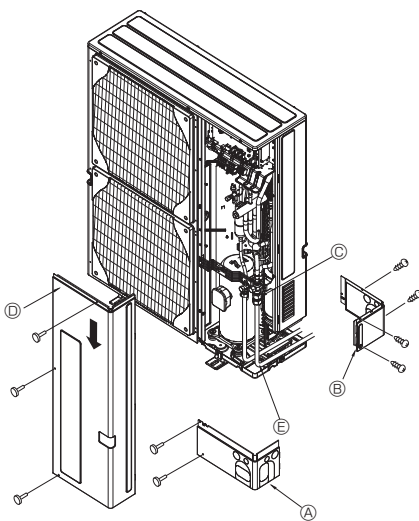


Fig. 4-2



- Ⓐ Stop valve
Ⓑ Seal section
Ⓒ Local piping
Ⓓ Double spanner section
Ⓔ Joint pipe
Ⓕ Pipe cover

Fig. 4-3



- Ⓐ Front piping cover
Ⓑ Piping cover
Ⓒ Stop valve
Ⓓ Service panel
Ⓔ Bend radius : 100 mm - 150 mm

Fig. 4-4

4.2. Connecting pipes (Fig. 4-1)

- When commercially available copper pipes are used, wrap liquid and gas pipes with commercially available insulation materials (heat-resistant to 100°C or more, thickness of 12 mm or more).
- Be sure to separate thermal insulation for gas and liquid refrigerant pipes.
- The indoor parts of the drain pipe should be wrapped with polyethylene foam insulation materials (specific gravity of 0.03, thickness of 9 mm or more).
- Apply thin layer of refrigerant oil to pipe and joint seating surface before tightening flare nut. Ⓐ
- Use 2 wrenches to tighten piping connections. Ⓑ
- Use leak detector or soapy water to check for gas leaks after connections are completed.
- Apply refrigerating machine oil over the entire flare seat surface. Ⓒ
- Use the flare nuts for the following pipe size. Ⓓ

| | | SHW80, 112, 140 | SHW230 |
|-------------|----------------|-----------------|--------|
| Gas side | Pipe size (mm) | φ15.88 | φ25.4 |
| Liquid side | Pipe size (mm) | φ9.52 | φ9.52 |

- When bending the pipes, be careful not to break them. Bend radii of 100 mm to 150 mm are sufficient.
- Make sure the pipes do not contact the compressor. Abnormal noise or vibration may result.
- ① Pipes must be connected starting from the indoor unit.
Flare nuts must be tightened with a torque wrench.
- ② Flare the liquid pipes and gas pipes and apply a thin layer of refrigeration oil (Applied on site).
- When usual pipe sealing is used, refer to Table 1 for flaring of R410A refrigerant pipes.
The size adjustment gauge can be used to confirm A measurements.

Table 1 (Fig. 4-2)

| Copper pipe O.D. (mm) | A (mm) | |
|--------------------------|----------------------|--------------------------|
| | Flare tool for R410A | Flare tool for R22-R407C |
| | Clutch type | |
| φ6.35 (1/4") | 0 - 0.5 | 1.0 - 1.5 |
| φ9.52 (3/8") | 0 - 0.5 | 1.0 - 1.5 |
| φ12.7 (1/2") | 0 - 0.5 | 1.0 - 1.5 |
| φ15.88 (5/8") | 0 - 0.5 | 1.0 - 1.5 |
| φ19.05 (3/4") | 0 - 0.5 | 1.0 - 1.5 |

- ③ Use the following procedure for connecting the gas-side piping. (Fig. 4-3) (SHW230)
- 1 Braze the Ⓔ Joint pipe provided to the outdoor unit using locally procured brazing materials and Ⓒ Local piping without oxygen.
- 2 Connect the Ⓔ Joint pipe to the gas-side Stop valve.
Use 2 wrenches to tighten the flare nut.
* If order is reversed, refrigerant leak occurs because of the part damaging by brazing fire.

4.3. Refrigerant piping (Fig. 4-4)

Remove the service panel Ⓓ (3 screws) and the front piping cover Ⓐ (2 screws) and rear piping cover Ⓑ (2 screws: SHW80 - 140) (4 screws: SHW230).

- Perform refrigerant piping connections for the indoor/outdoor unit when the outdoor unit's stop valve is completely closed.
- Vacuum-purge air from the indoor unit and the connection piping.
- After connecting the refrigerant pipes, check the connected pipes and the indoor unit for gas leaks. (Refer to 4.4 Refrigerant pipe airtight testing method)
- A high-performance vacuum pump is used at the stop valve service port to maintain a vacuum for an adequate time (at least one hour after reaching -101 kPa (5 Torr)) in order to vacuum dry the inside of the pipes. Always check the degree of vacuum at the gauge manifold. If there is any moisture left in the pipe, the degree of vacuum is sometimes not reached with short-time vacuum application.
After vacuum drying, completely open the stop valves (both liquid and gas) for the outdoor unit. This completely links the indoor and outdoor refrigerant circuits.
 - If the vacuum drying is inadequate, air and water vapor remain in the refrigerant circuits and can cause abnormal rise of high pressure, abnormal drop of low pressure, deterioration of the refrigerating machine oil due to moisture, etc.
 - If the stop valves are left closed and the unit is operated, the compressor and control valves will be damaged.
 - Use a leak detector or soapy water to check for gas leaks at the pipe connection sections of the outdoor unit.
 - Do not use the refrigerant from the unit to purge air from the refrigerant lines.
 - After the valve work is completed, tighten the valve caps to the correct torque: 20 to 25 N·m (200 to 250 kgf·cm).
Failure to replace and tighten the caps may result in refrigerant leakage. In addition, do not damage the insides of the valve caps as they act as a seal to prevent refrigerant leakage.
- Use sealant to seal the ends of the thermal insulation around the pipe connection sections to prevent water from entering the thermal insulation.

4. Installing the refrigerant piping

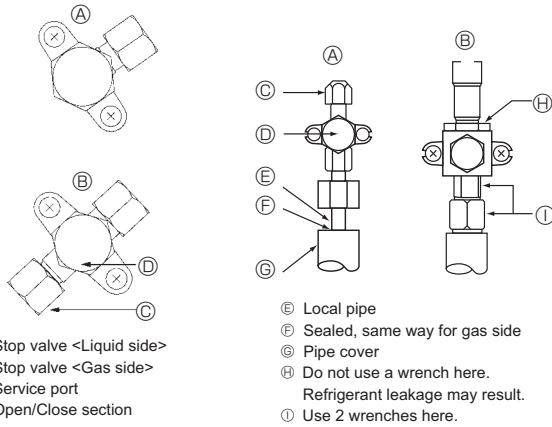


Fig. 4-5

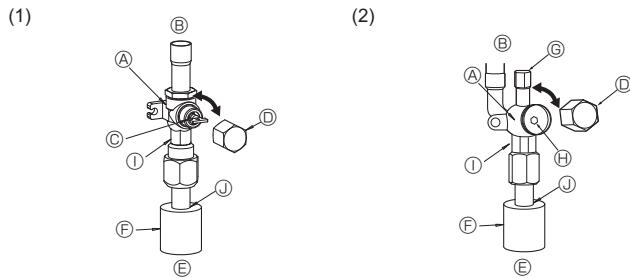


Fig. 4-6

Fig. 4-7

- Ⓐ Valve
- Ⓑ Unit side
- Ⓒ Handle
- Ⓓ Cap
- Ⓔ Local pipe side
- Ⓕ Pipe cover
- Ⓖ Service port
- Ⓗ Wrench hole
- Ⓘ Double spanner section
(Do not apply a spanner other than to this section. Doing so would cause coolant leaks.)
- Ⓧ Seal section
(Seal the end of the heat insulation material at the pipe connection section with whatever seal material you have on hand so that water does not infiltrate the heat insulation material.)

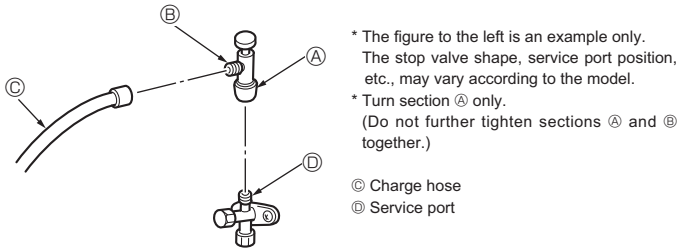


Fig. 4-8

4.4. Refrigerant pipe airtight testing method (Fig.4-5)

- (1) Connect the testing tools.
 - Make sure the stop valves Ⓐ Ⓑ are closed and do not open them.
 - Add pressure to the refrigerant lines through the service port Ⓒ of the liquid stop valve Ⓐ.
- (2) Do not add pressure to the specified pressure all at once; add pressure little by little.
 - ① Pressurize to 0.5 MPa (5 kgf/cm²G), wait 5 minutes, and make sure the pressure does not decrease.
 - ② Pressurize to 1.5 MPa (15 kgf/cm²G), wait 5 minutes, and make sure the pressure does not decrease.
 - ③ Pressurize to 4.15 MPa (41.5 kgf/cm²G) and measure the surrounding temperature and refrigerant pressure.
- (3) If the specified pressure holds for about 1 day and does not decrease, the pipes have passed the test and there are no leaks.
 - If the surrounding temperature changes by 1°C, the pressure will change by about 0.01 MPa (0.1 kgf/cm²G). Make the necessary corrections.
- (4) If the pressure decreases in steps (2) or (3), there is a gas leak. Look for the source of the gas leak.

4.5. Stop valve opening method

The stop valve opening method varies according to the outdoor unit model. Use the appropriate method to open the stop valves.

- (1) Gas side (Fig. 4-6)
 - ① Remove the cap, pull the handle toward you and rotate 1/4 turn in a counterclockwise direction to open.
 - ② Make sure that the stop valve is open completely, push in the handle and rotate the cap back to its original position.
- (2) Liquid side (Fig. 4-7)
 - ① Remove the cap and turn the valve rod counterclockwise as far as it will go with the use of a 4 mm hexagonal wrench. Stop turning when it hits the stopper. (ø9.52: Approximately 10 revolutions)
 - ② Make sure that the stop valve is open completely, push in the handle and rotate the cap back to its original position.

Refrigerant pipes are protectively wrapped

- The pipes can be protectively wrapped up to a diameter of ø90 before or after connecting the pipes. Cut out the knockout in the pipe cover following the groove and wrap the pipes.

Pipe inlet gap

- Use putty or sealant to seal the pipe inlet around the pipes so that no gaps remain. (If the gaps are not closed, noise may be emitted or water and dust will enter the unit and breakdown may result.)

Precautions when using the charge valve (Fig.4-8)

Do not tighten the service port too much when installing it, otherwise, the valve core could be deformed and become loose, causing a gas leak.

After positioning section Ⓑ in the desired direction, turn section Ⓐ only and tighten it.

Do not further tighten sections Ⓐ and Ⓑ together after tightening section Ⓐ.

⚠ Warning:

When installing the unit, securely connect the refrigerant pipes before starting the compressor.

4.6. Addition of refrigerant

- Additional charging is not necessary if the pipe length does not exceed 30 m.
- If the pipe length exceeds 30 m, charge the unit with additional R410A refrigerant according to the permitted pipe lengths in the chart below.
 - * When the unit is stopped, charge the unit with the additional refrigerant through the liquid stop valve after the pipe extensions and indoor unit have been vacuumized.
 - When the unit is operating, add refrigerant to the gas check valve using a safety charger. Do not add liquid refrigerant directly to the check valve.

- * After charging the unit with refrigerant, note the added refrigerant amount on the service label (attached to the unit). Refer to the "1.5. Using R410A refrigerant outdoor unit" for more information.
- Be careful when installing multiple units. Connecting to an incorrect indoor unit can lead to abnormally high pressure and have a serious effect on operation performance.

| Model | Permitted pipe length | Permitted vertical difference | Additional refrigerant charging amount | | | |
|-----------------|-----------------------|-------------------------------|--|-----------|-----------|-----------|
| | | | 31 - 40 m | 41 - 50 m | 51 - 60 m | 61 - 75 m |
| SHW80, 112, 140 | -75 m | -30 m | 0.6 kg | 1.2 kg | 1.8 kg | 2.4 kg |

| Model | | A+B+C+D | | | | | |
|--------|---|--|-----------|-----------|--|-----------|-----------|
| | | Amount of additional refrigerant charge (kg) | | | | | |
| | | 30 m and less | 31 - 40 m | 41 - 50 m | 51 - 60 m | 61 - 70 m | 71 - 80 m |
| SHW230 | For single combination (1 water heat exchanger) | No additional charge necessary | 1.4 kg | 2.8 kg | 4.2 kg | 5.6 kg | 7.0 kg |
| | For twin / triple / quadruple combination (2-4 water heat exchangers) | No additional charge necessary | 0.9 kg | 1.8 kg | Calculate the amount of additional refrigerant charge using formula provided next page | | |

4. Installing the refrigerant piping

When length exceeds 50 m for twin / triple / quadruple combination (Only SHW230)

When the total length of the piping exceeds 50 m, calculate the amount of additional charge based on the following requirements.

Note: If the calculation produces a negative number (i.e. a "minus" charge), of if calculation results in an amount that is less than the "Additional charge amount for 50 m", perform the additional charge using the amount shown in "Additional charge amount for 50 m".

| | | | | | | | | | | |
|--|--------|--|---|--|---|---|---|--|---|----------|
| Amount of additional charge (kg) | = | Main piping: Liquid line size ø12.7 overall length × 0.17 (m) × 0.17 (kg/m) | + | Main piping: Liquid line size ø9.52 overall length × 0.14 (Gas line: ø25.4) (m) × 0.14 (kg/m) | + | Branch piping: Liquid line size ø9.52 overall length × 0.05 (Gas line: ø15.88) (m) × 0.05 (kg/m) | + | Branch piping: Liquid line size ø6.35 overall length × 0.02 (m) × 0.02 (kg/m) | - | 4.3 (kg) |
| Additional charge amount for 50 meters | 1.8 kg | | | | | | | | | |

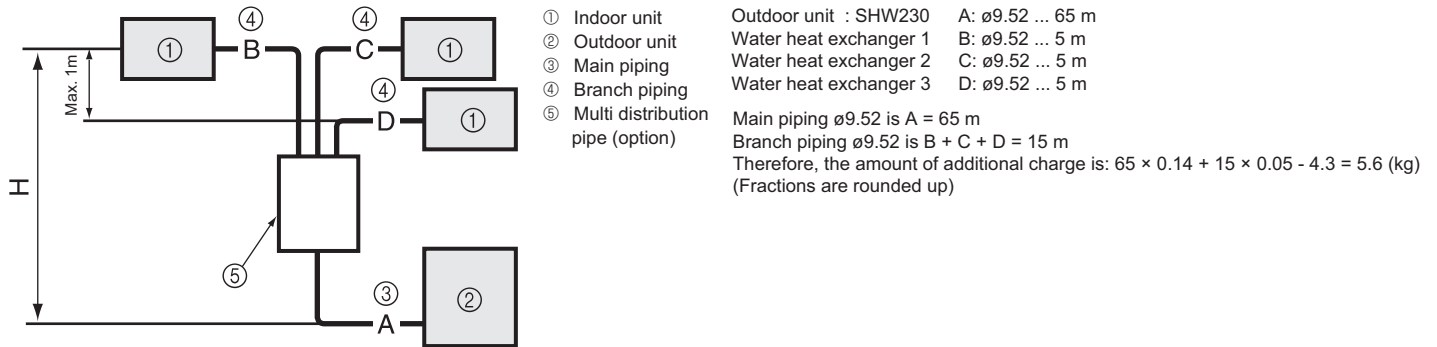
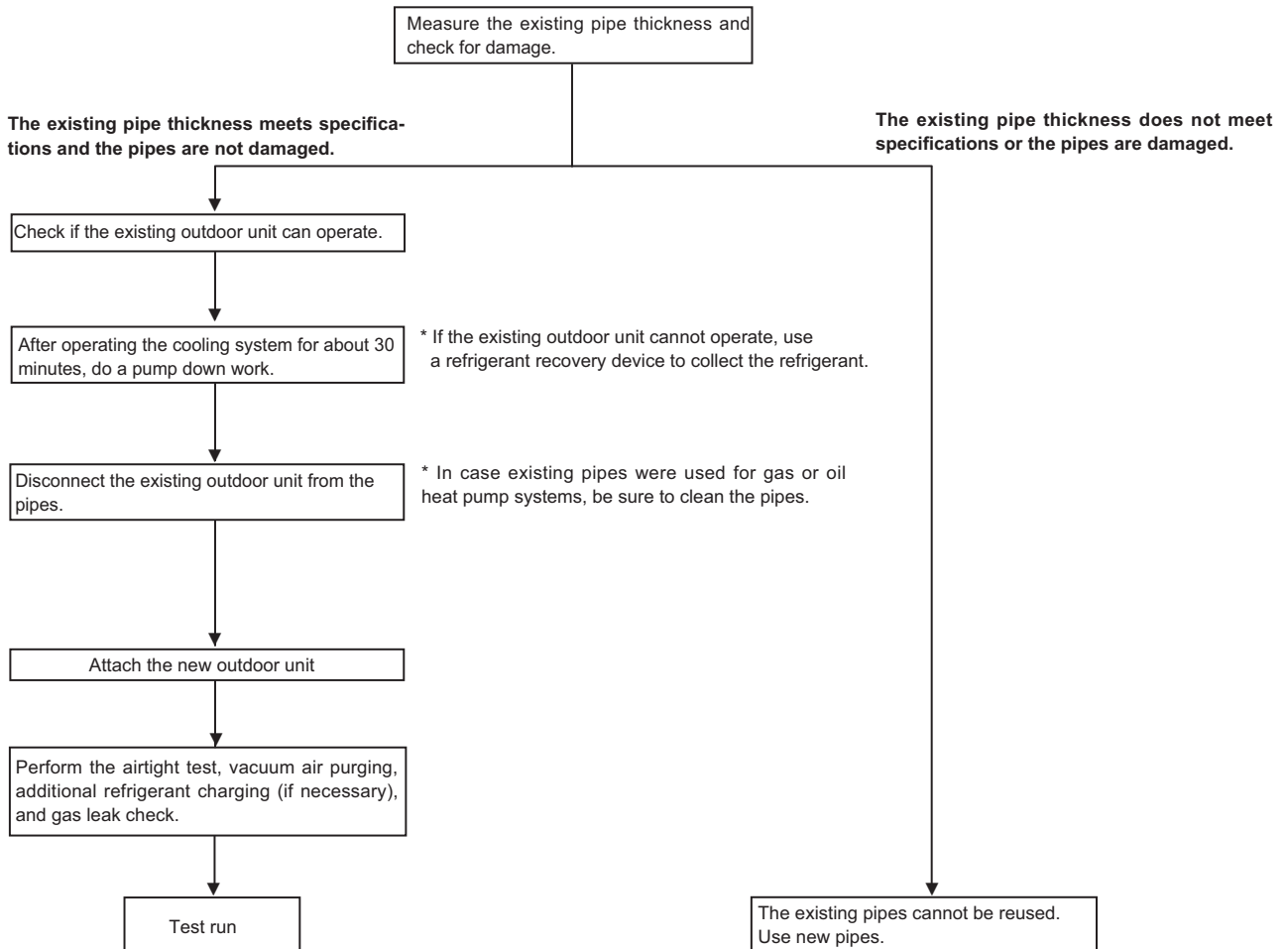


Fig. 4-9

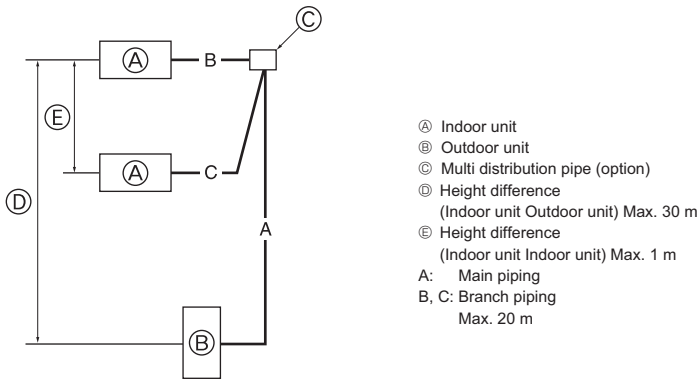
4.7. Precautions when reusing existing R22 refrigerant pipes

- Refer to the flowchart below to determine if the existing pipes can be used and if it is necessary to use a filter dryer.
- If the diameter of the existing pipes is different from the specified diameter, refer to technological data materials to confirm if the pipes can be used.



4. Installing the refrigerant piping

<Limits of refrigerant piping installation>



SHW80, 112, 140 : $A+B+C \leq 75$ m

Fig. 4-10

4.8. For twin/triple/quadruple combination (Fig. 4-10)

• When this unit is used as a FREE COMPO MULTI unit, install the refrigerant piping with the restrictions indicated in the drawing on the left. In addition, if the restrictions are going to be exceeded, or if there are going to be combinations of indoor and outdoor units, refer to installation instructions for the indoor unit for details about the installation.

| Outdoor unit | Permissible total piping length A+B+C | Charge-less piping length A+B+C |
|-----------------|--|------------------------------------|
| SHW80, 112, 140 | 75 m and less | 30 m and less |

| Outdoor unit | B-C | No. of bends |
|--------------|--------------|--------------|
| SHW80 - 140 | 8 m and less | Within 15 |

5. Drainage piping work

Outdoor unit drainage pipe connection

When drain piping is necessary, use the drain socket or the drain pan (option).

| | SHW80, 112, 140 | SHW230 |
|--------------|-----------------|--------------|
| Drain socket | PAC-SG61DS-E | |
| Drain pan | PAC-SG64DP-E | PAC-SH97DP-E |

6. Water piping work (Only for Air to Water Heat Pump)

Minimum water quantity

Following water quantity is required in the water circuit.

| Model | Minimum water quantity (L) |
|--------|----------------------------|
| SHW80 | 60 |
| SHW112 | 80 |
| SHW140 | 100 |
| SHW230 | 160 |

7. Electrical work

7.1. Outdoor unit (Fig. 7-1, Fig. 7-2)

- Remove the service panel.
- Wire the cables referring to the Fig. 7-1 and the Fig. 7-2.

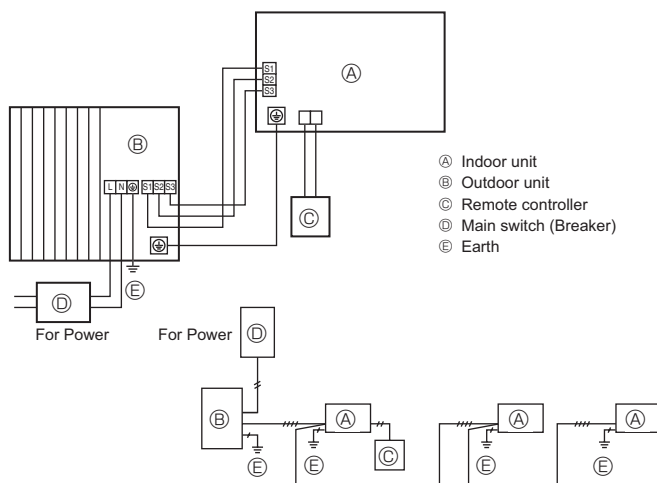


Fig. 7-1

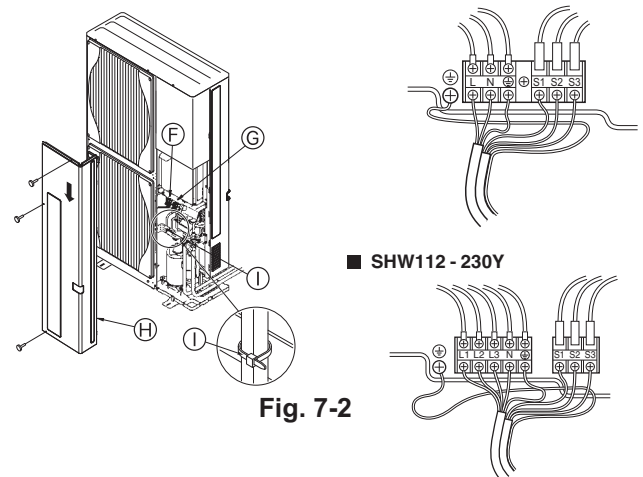


Fig. 7-2

- F Terminal block
- G Indoor/Outdoor connection terminal block (S1, S2, S3)
- H Service panel
- I Clamp
- * Clamp the cables so that they do not contact the center of the service panel or the gas valve.

Note :
If the protective sheet for the electrical box is removed during servicing, be sure to reinstall it.

Caution:
Be sure to install N-Line. Without N-Line, it could cause damage to the unit.

Note: Only for Air to Water Heat Pump

When multiple indoor units (Hydro boxes) are connected to the outdoor unit, wire the PCB of either one of the indoor unit and the outdoor unit (S1, S2, S3).

It is impossible to connect the PCBs of multiple indoor units to the outdoor unit.

7. Electrical work

7.2. Field electrical wiring

| Outdoor unit model | | SHW80V | SHW112V | SHW112, 140Y | SHW230Y |
|---|---|---------------------------|---------------------------|----------------------------------|--|
| Outdoor unit power supply | | ~N (single), 50 Hz, 230 V | ~N (single), 50 Hz, 230 V | 3N~ (3 ph 4-wires), 50 Hz, 400 V | 3N~ (3 ph 4-wires), 50 Hz, 400 V |
| Outdoor unit input capacity Main switch (Breaker) | | *1 32 A | 40 A | 16 A | 32 A |
| Wiring Wire No. x size (mm ²) | Outdoor unit power supply | 3 x Min. 4 | 3 x Min. 6 | 5 x Min. 1.5 | 5 x Min. 4 |
| | Indoor unit-Outdoor unit | *2 3 x 1.5 (Polar) | 3 x 1.5 (Polar) | 3 x 1.5 (Polar) | Cable length 50m:3x4 (Polar)/ Cable length 80m:3x6 (Polar) |
| | Indoor unit-Outdoor unit earth | *2 1 x Min. 1.5 | 1 x Min. 1.5 | 1 x Min. 1.5 | 1 x Min. 2.5 |
| | Remote controller-Indoor unit | *3 2 x 0.3 (Non-polar) | 2 x 0.3 (Non-polar) | 2 x 0.3 (Non-polar) | 2 x 0.3 (Non-polar) |
| Circuit rating | Outdoor unit L-N (single) | *4 AC 230 V | AC 230 V | AC 230 V | AC 230 V |
| | Outdoor unit L1-N, L2-N, L3-N (3 phase) | *4 AC 230 V | AC 230 V | AC 230 V | AC 230 V |
| | Indoor unit-Outdoor unit S1-S2 | *4 AC 230 V | AC 230 V | AC 230 V | AC 230 V |
| | Indoor unit-Outdoor unit S2-S3 | *4 DC 24 V | DC 24 V | DC 24 V | DC 24 V |
| Remote controller-Indoor unit | | *4 DC 12 V | DC 12 V | DC 12 V | DC 12 V |

*1. A breaker with at least 3.0 mm contact separation in each poles shall be provided. Use earth leakage breaker (NV).

Make sure that the current leakage breaker is one compatible with higher harmonics.

Always use a current leakage breaker that is compatible with higher harmonics as this unit is equipped with an inverter.

The use of an inadequate breaker can cause the incorrect operation of inverter.

*2. (SHW80 - 140)

Max. 45 m

If 2.5 mm² used, Max. 50 m

If 2.5 mm² used and S3 separated, Max. 80 m

(SHW230)

Max. 80 m Total Max. including all indoor/indoor connection is 80 m.

• Use one cable for S1 and S2 and another for S3 as shown in the picture.



*3. The 10 m wire is attached in the remote controller accessory.

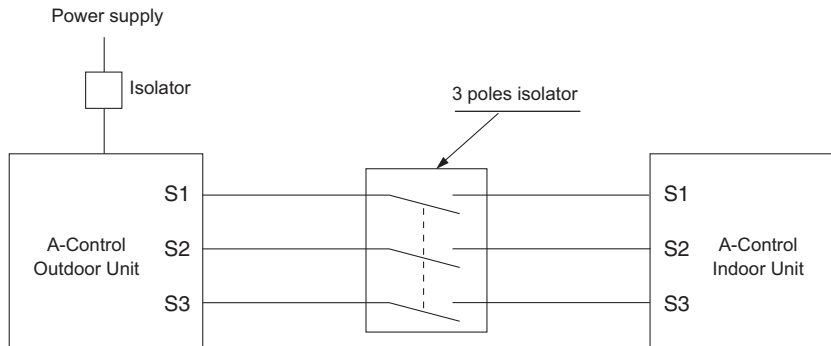
*4. The figures are NOT always against the ground.

S3 terminal has DC 24 V against S2 terminal. However between S3 and S1, these terminals are NOT electrically insulated by the transformer or other device.

Notes: 1. Wiring size must comply with the applicable local and national code.

2. Power supply cords and Indoor/Outdoor unit connecting cords shall not be lighter than polychloroprene sheathed flexible cord. (Design 60245 IEC 57)

3. Use an earth wire which is longer than the other cords so that it will not become disconnected when tension is applied.



⚠ Warning:

- In case of A-control wiring, there is high voltage potential on the S3 terminal caused by electrical circuit design that has no electrical insulation between power line and communication signal line. Therefore, please turn off the main power supply when servicing. And do not touch the S1, S2, S3 terminals when the power is energized. If isolator should be used between indoor unit and outdoor unit, please use 3-pole type.
- In below - 20°C condition, it needs at least 4hr stand by to operate in order to warm the electrical parts.

Never splice the power cable or the indoor-outdoor connection cable, otherwise it may result in a smoke, a fire or communication failure.

INDOOR-OUTDOOR CONNECTING CABLE (SHW230)

| Cross section of cable | Wire size (mm ²) | Number of wires | Polarity | L (m)*6 |
|------------------------|------------------------------|-----------------|---|----------------------|
| Round | 2.5 | 3 | Clockwise : S1-S2-S3 *Pay attention to stripe of yellow and green | (30) *2 |
| Flat | 2.5 | 3 | Not applicable (Because center wire has no cover finish) | Not applicable *5 |
| Flat | 1.5 | 4 | From left to right : S1-Open-S2-S3 | (18) *3 |
| Round | 2.5 | 4 | Clockwise : S1-S2-S3-Open *Connect S1 nad S3 to the opposite angle | (30) *4 |

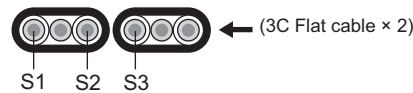
*1 :Power supply cords of appliances shall not be lighter than design 60245 IEC or 227 IEC.

*2 :In case that cable with stripe of yellow and green is available.

*3 :In case of regular polarity connection (S1-S2-S3), wire size is 1.5 mm².

*4 :In case of regular polarity connection (S1-S2-S3).

*5 :In the flat cables are connected as this picture, they can be used up to 30 m.



*6 :Mentioned cable length is just a reference value.

It may be different depending on the condition of installation, humidity or materials, etc.

Be sure to connect the indoor-outdoor connecting cables directly to the units (no intermediate connections). Intermediate connections can lead to communication error if water enters the cables and causes insufficient insulation to ground or a poor electrical contact at the intermediate connection point.

8. Test run

8.1. Before test run

- ▶ After completing installation and the wiring and piping of the indoor and outdoor units, check for refrigerant leakage, looseness in the power supply or control wiring, wrong polarity, and no disconnection of one phase in the supply.
- ▶ Use a 500-volt megohmmeter to check that the resistance between the power supply terminals and ground is at least 1 MΩ.
- ▶ Do not carry out this test on the control wiring (low voltage circuit) terminals.

⚠ Warning:

Do not use the outdoor unit if the insulation resistance is less than 1 MΩ.

Insulation resistance

After installation or after the power source to the unit has been cut for an extended period, the insulation resistance will drop below 1 MΩ due to refrigerant accumulating in the compressor. This is not a malfunction. Perform the following procedures.

1. Remove the wires from the compressor and measure the insulation resistance of the compressor.
2. If the insulation resistance is below 1 MΩ, the compressor is faulty or the resistance dropped due the accumulation of refrigerant in the compressor.
3. After connecting the wires to the compressor, the compressor will start to warm up after power is supplied. After supplying power for the times indicated below, measure the insulation resistance again.

- The insulation resistance drops due to accumulation of refrigerant in the compressor. The resistance will rise above 1 MΩ after the compressor is warmed up for 4 hours.
(The time necessary to warm up the compressor varies according to atmospheric conditions and refrigerant accumulation.)
 - To operate the compressor with refrigerant accumulated in the compressor, the compressor must be warmed up at least 12 hours to prevent breakdown.
4. If the insulation resistance rises above 1 MΩ, the compressor is not faulty.

⚠ Caution:

- The compressor will not operate unless the power supply phase connection is correct.
- Turn on the power at least 12 hours before starting operation.
- Starting operation immediately after turning on the main power switch can result in severe damage to internal parts. Keep the power switch turned on during the operational season.

▶ The followings must be checked as well.

- The outdoor unit is not faulty. LED1 and LED2 on the control board of the outdoor unit flash when the outdoor unit is faulty.
- Both the gas and liquid stop valves are completely open.
- A protective sheet covers the surface of the Dip switch panel on the control board of the outdoor unit. Remove the protective sheet to operate the Dip switches easily.

8.2. Test run

8.2.1. Using SW4 in outdoor unit

| | | |
|-------|-----|-------------------|
| SW4-1 | ON | Cooling operation |
| SW4-2 | OFF | |
| SW4-1 | ON | Heating operation |
| SW4-2 | ON | |

* After performing the test run, set SW4-1 to OFF.

- After power is supplied, a small clicking noise may be heard from the inside of the outdoor unit. The electronic expansion valve is opening and closing. The unit is not faulty.

- A few seconds after the compressor starts, a clanging noise may be heard from the inside of the outdoor unit. The noise is coming from the check valve due to the small difference in pressure in the pipes. The unit is not faulty.

The test run operation mode cannot be changed by Dip switch SW4-2 during the test run. (To change the test run operation mode during the test run, stop the test run by Dip switch SW4-1. After changing the test run operation mode, resume the test run by switch SW4-1.)

8.2.2. Using remote controller

Refer to the indoor unit installation manual.

Note : Occasionally, vapor that is made by the defrost operation may seem as if smoke come up from the outdoor unit.

9. Initial settings for refrigerant leakage detection function (Only for Air-Conditioners)

■ Remote control button positions

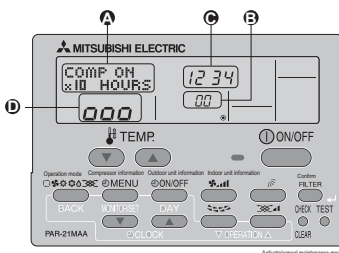


Fig. 9-1



Fig. 9-2



Fig. 9-3

This outdoor unit can detect refrigerant leakage which may happen during a long period of use. In order to enable the leakage detection, the following settings are required to let the unit memorize the initial conditions (initial learning).

⚠ Caution:

Make sure to perform the “8. Test run” and confirm the unit works without any problems, before starting the following settings.

▶ How to select the “Refrigerant Leakage Detection” mode

Detection is possible regardless the unit’s operation (ON or OFF).

- ① Press **TEST** button for more than three seconds to switch to the maintenance mode.

[Display A] MAINTENANCE

▶ How to start the initial learning

- ② Press **CLOCK** button and select the [GAS LEAK TEST START] (Fig. 9-2)

* The initial learning for the leakage detection is always done once after the new installation or the data reset.

- ③ Press **FILTER** button to confirm. (Fig. 9-3)

▶ How to finish the initial learning

Once the unit’s operation is stabilized, the initial learning is completed.

- ④ Press **TEST** button for more than three seconds to cancel the initial learning. The initial learning can also be cancelled by pressing **ON/OFF** button.

* Refer to the Technical Manual for the refrigerant leakage detection judgment method.

10. Special Functions

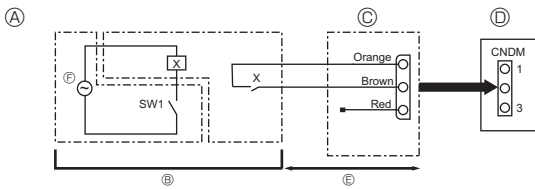


Fig. 10-1

- Ⓐ Circuit diagram example (low noise mode) Ⓓ Outdoor unit control board
 Ⓑ On-site arrangement Ⓔ Max. 10 m
 Ⓒ External input adapter (PAC-SC36NA-E) Ⓕ Power supply for relay
 X: Relay

10.1. Low noise mode (on-site modification) (Fig. 10-1)

By performing the following modification, operation noise of the outdoor unit can be reduced by about 3-4 dB.

The low noise mode will be activated when a commercially available timer or the contact input of an ON/OFF switch is added to the CNDM connector (option) on the control board of the outdoor unit.

- The ability varies according to the outdoor temperature and conditions, etc.
- Complete the circuit as shown when using the external input adapter (PAC-SC36NA-E). (Option)
 - SW1 ON: Low noise mode
SW1 OFF: Normal operation

Note:

When the Dip SW9-1 on the control board of the outdoor unit is ON, set Dip SW9-1 to OFF.

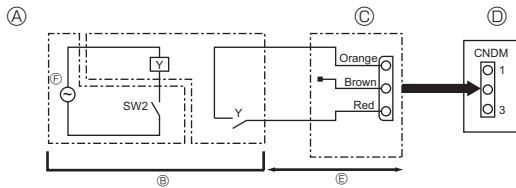


Fig. 10-2

- Ⓐ Circuit diagram example (Demand function) Ⓓ Outdoor unit control board
 Ⓑ On-site arrangement Ⓔ Max. 10 m
 Ⓒ External input adapter (PAC-SC36NA-E) Ⓕ Power supply for relay
 Y: Relay

10.2. Demand function (on-site modification) (Fig. 10-2) (Only for Air-Conditioners)

By performing the following modification, energy consumption can be reduced to 0 –100% of the normal consumption.

The demand function will be activated when a commercially available timer or the contact input of an ON/OFF switch is added to the CNDM connector (option) on the control board of the outdoor unit.

- Complete the circuit as shown when using the external input adapter (PAC-SC36NA-E). (Option)
- By setting SW7-1 and SW7-2 on the control board of the outdoor unit, the energy consumption (compared to the normal consumption) can be limited as shown below.

| SW7-1 | SW7-2 | Energy consumption (SW2 ON) |
|-------|-------|-----------------------------|
| OFF | OFF | 0% (Stop) |
| ON | OFF | 50% |
| OFF | ON | 75% |

10.3. Refrigerant collecting (pump down)

Perform the following procedures to collect the refrigerant when moving the indoor unit or the outdoor unit.

- Supply power (circuit breaker).
 - When power is supplied, make sure that "CENTRALLY CONTROLLED" is not displayed on the remote controller. If "CENTRALLY CONTROLLED" is displayed, the refrigerant collecting (pump down) cannot be completed normally.
 - Start-up of the indoor-outdoor communication takes about 3 minutes after the power (circuit breaker) is turned on. Start the pump-down operation 3 to 4 minutes after the power (circuit breaker) is turned ON.
 - Before supplying power when connecting multiple units for an Air to Water application, disconnect the wiring that is connecting the master unit and a slave unit. Refer to the indoor unit installation manual for more information.
- After the liquid stop valve is closed, set the SWP switch on the control board of the outdoor unit to ON. The compressor (outdoor unit) and ventilators (indoor and outdoor units) start operating and refrigerant collecting operation begins. LED1 and LED2 on the control board of the outdoor unit are lit.
 - Only set the SWP switch (push-button type) to ON if the unit is stopped. However, even if the unit is stopped and the SWP switch is set to ON less than 3 minutes after the compressor stops, the refrigerant collecting operation cannot be performed. Wait until compressor has been stopped for 3 minutes and then set the SWP switch to ON again.

- Because the unit automatically stops in about 2 to 3 minutes when the refrigerant collecting operation is completed (LED1 off, LED2 lit), be sure to quickly close the gas stop valve. If LED1 is lit and LED2 is off and the outdoor unit is stopped, refrigerant collection is not properly performed. Open the liquid stop valve completely, and then repeat step ② after 3 minutes have passed.
 - If the refrigerant collecting operation has been completed normally (LED1 off, LED2 lit), the unit will remain stopped until the power supply is turned off.

- Turn off the power supply (circuit breaker).
 - Note that when the extension piping is very long with large refrigerant amount, it may not be possible to perform a pump-down operation. When performing the pump-down operation, make sure that the low pressure is lowered to near 0 MPa (gauge).

⚠ Warning:

When pumping down the refrigerant, stop the compressor before disconnecting the refrigerant pipes. The compressor may burst if air etc. get into it.

10.4 Setting the temperature of the ZUBADAN flash injection function

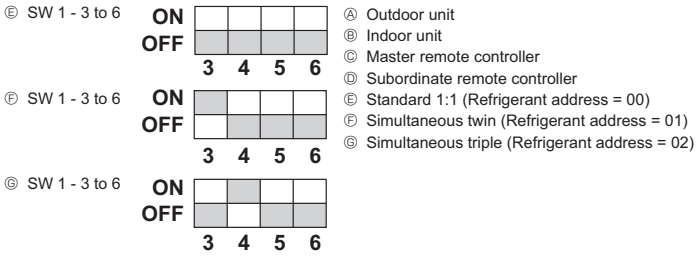
The ZUBADAN flash injection function achieves high heating performance at low outdoor temperatures.

- The SW9-3 and SW9-4 on the control board of the outdoor unit allow setting of the temperature available for the ZUBADAN flash injection function as shown in the below table.

| SW9-3 | SW9-4 | Outdoor temperatures |
|-------|-------|-------------------------|
| OFF | OFF | ≤ 3°C (Initial setting) |
| OFF | ON | ≤ 0°C |
| ON | OFF | ≤ -3°C |
| ON | ON | ≤ -6°C |

11. System control

11.1. Air-Conditioners



- Ⓐ Outdoor unit
- Ⓑ Indoor unit
- Ⓒ Master remote controller
- Ⓓ Subordinate remote controller
- Ⓔ Standard 1:1 (Refrigerant address = 00)
- Ⓕ Simultaneous twin (Refrigerant address = 01)
- Ⓖ Simultaneous triple (Refrigerant address = 02)

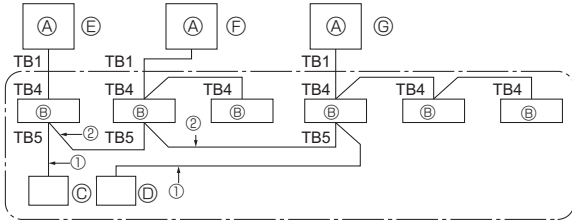


Fig. 11-1

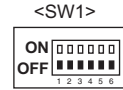
* Set the refrigerant address using the Dip switch of the outdoor unit.

① Wiring from the Remote Control
This wire is connected to TB5 (terminal board for remote controller) of the indoor unit (non-polar).

② When a Different Refrigerant System Grouping is Used.
Up to 16 refrigerant systems can be controlled as one group using the slim MA remote controller.

Note:
In single refrigerant system (twin/triple), there is no need of wiring ②.

SW1
Function table



| Function | Operation according to switch setting | |
|--------------------------------------|---|--------|
| | ON | OFF |
| 1 Compulsory defrosting | Start | Normal |
| 2 Error history clear | Clear | Normal |
| 3 Refrigerant system address setting | Settings for outdoor unit addresses 0 to 15 | |

11.2. Air to Water Heat Pump

Set the refrigerant address using the Dip switch of the outdoor unit.

SW1 Function Setting

| SW1 Setting | Refrigerant address | | | | | | | | | | | | | | | | |
|--|---------------------|---|---|--|---|---|---|---|--|--|--|--|---|---|---|---|----|
| ON <table border="1"><tr><td></td><td></td><td></td><td></td></tr><tr><td>3</td><td>4</td><td>5</td><td>6</td></tr></table> OFF <table border="1"><tr><td></td><td></td><td></td><td></td></tr><tr><td>3</td><td>4</td><td>5</td><td>6</td></tr></table> | | | | | 3 | 4 | 5 | 6 | | | | | 3 | 4 | 5 | 6 | 00 |
| | | | | | | | | | | | | | | | | | |
| 3 | 4 | 5 | 6 | | | | | | | | | | | | | | |
| | | | | | | | | | | | | | | | | | |
| 3 | 4 | 5 | 6 | | | | | | | | | | | | | | |
| ON <table border="1"><tr><td></td><td></td><td></td><td></td></tr><tr><td>3</td><td>4</td><td>5</td><td>6</td></tr></table> OFF <table border="1"><tr><td></td><td></td><td></td><td></td></tr><tr><td>3</td><td>4</td><td>5</td><td>6</td></tr></table> | | | | | 3 | 4 | 5 | 6 | | | | | 3 | 4 | 5 | 6 | 01 |
| | | | | | | | | | | | | | | | | | |
| 3 | 4 | 5 | 6 | | | | | | | | | | | | | | |
| | | | | | | | | | | | | | | | | | |
| 3 | 4 | 5 | 6 | | | | | | | | | | | | | | |
| ON <table border="1"><tr><td></td><td></td><td></td><td></td></tr><tr><td>3</td><td>4</td><td>5</td><td>6</td></tr></table> OFF <table border="1"><tr><td></td><td></td><td></td><td></td></tr><tr><td>3</td><td>4</td><td>5</td><td>6</td></tr></table> | | | | | 3 | 4 | 5 | 6 | | | | | 3 | 4 | 5 | 6 | 02 |
| | | | | | | | | | | | | | | | | | |
| 3 | 4 | 5 | 6 | | | | | | | | | | | | | | |
| | | | | | | | | | | | | | | | | | |
| 3 | 4 | 5 | 6 | | | | | | | | | | | | | | |
| ON <table border="1"><tr><td></td><td></td><td></td><td></td></tr><tr><td>3</td><td>4</td><td>5</td><td>6</td></tr></table> OFF <table border="1"><tr><td></td><td></td><td></td><td></td></tr><tr><td>3</td><td>4</td><td>5</td><td>6</td></tr></table> | | | | | 3 | 4 | 5 | 6 | | | | | 3 | 4 | 5 | 6 | 03 |
| | | | | | | | | | | | | | | | | | |
| 3 | 4 | 5 | 6 | | | | | | | | | | | | | | |
| | | | | | | | | | | | | | | | | | |
| 3 | 4 | 5 | 6 | | | | | | | | | | | | | | |
| ON <table border="1"><tr><td></td><td></td><td></td><td></td></tr><tr><td>3</td><td>4</td><td>5</td><td>6</td></tr></table> OFF <table border="1"><tr><td></td><td></td><td></td><td></td></tr><tr><td>3</td><td>4</td><td>5</td><td>6</td></tr></table> | | | | | 3 | 4 | 5 | 6 | | | | | 3 | 4 | 5 | 6 | 04 |
| | | | | | | | | | | | | | | | | | |
| 3 | 4 | 5 | 6 | | | | | | | | | | | | | | |
| | | | | | | | | | | | | | | | | | |
| 3 | 4 | 5 | 6 | | | | | | | | | | | | | | |
| ON <table border="1"><tr><td></td><td></td><td></td><td></td></tr><tr><td>3</td><td>4</td><td>5</td><td>6</td></tr></table> OFF <table border="1"><tr><td></td><td></td><td></td><td></td></tr><tr><td>3</td><td>4</td><td>5</td><td>6</td></tr></table> | | | | | 3 | 4 | 5 | 6 | | | | | 3 | 4 | 5 | 6 | 05 |
| | | | | | | | | | | | | | | | | | |
| 3 | 4 | 5 | 6 | | | | | | | | | | | | | | |
| | | | | | | | | | | | | | | | | | |
| 3 | 4 | 5 | 6 | | | | | | | | | | | | | | |

Note:

- a) Up to 6 units can be connected.
- b) Select one single model for all units.
- c) For Dip switch settings for indoor unit, refer to the indoor unit's installation manual.

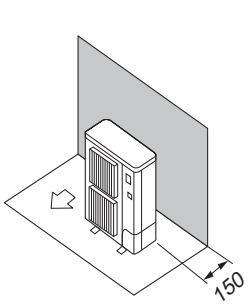


Fig. 2-6

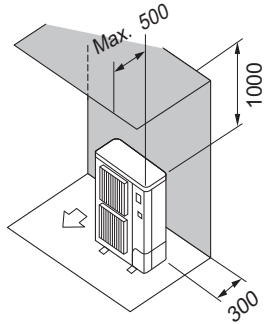


Fig. 2-7

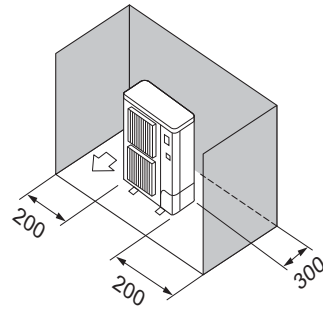


Fig. 2-8

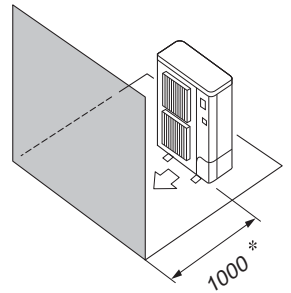


Fig. 2-9

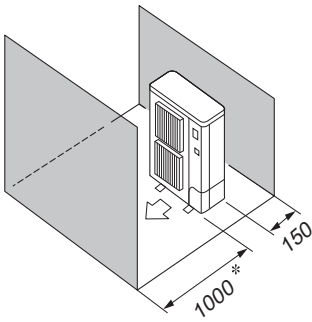


Fig. 2-10

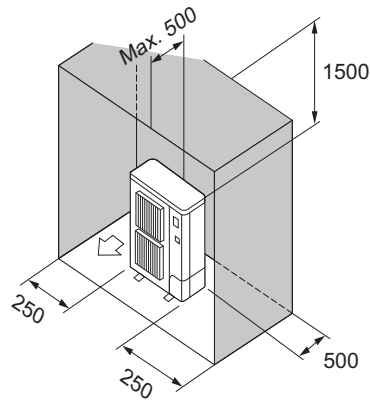


Fig. 2-11

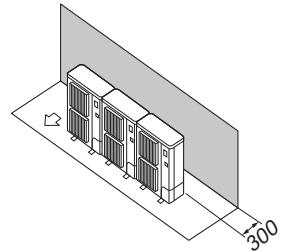


Fig. 2-12

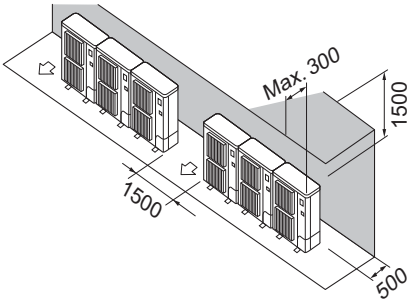


Fig. 2-13

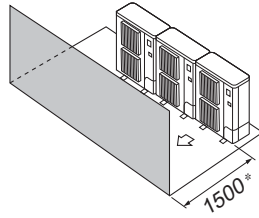


Fig. 2-14

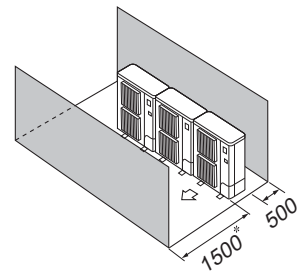


Fig. 2-15

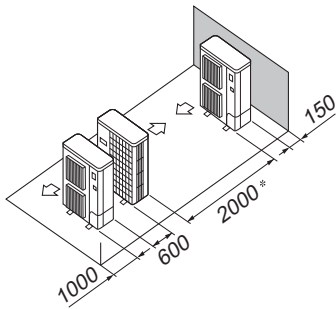


Fig. 2-16

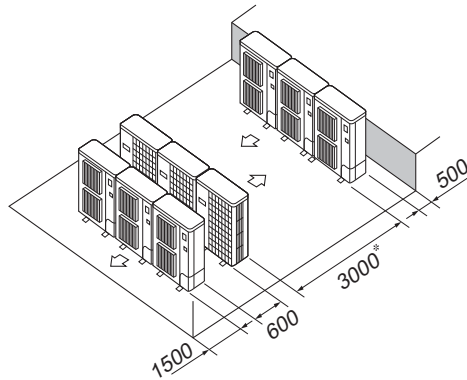


Fig. 2-17

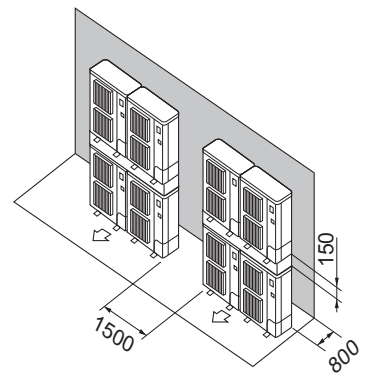


Fig. 2-18

This product is designed and intended for use in the residential,
commercial and light-industrial environment.

The product at hand is
based on the following
EU regulations:

- Low Voltage Directive 2006/95/ EC
 - Electromagnetic Compatibility Directive
2004/108/ EC
 - Machinery Directive 2006/42/EC
 - Energy-related Products Directive
2009/125/EC
 - RoHS Directive 2011/65/EU
 - Pressure Equipment *
- * Only SHW230



MITSUBISHI ELECTRIC CORPORATION

HEAD OFFICE: TOKYO BLDG., 2-7-3, MARUNOUCHI, CHIYODA-KU, TOKYO 100-8310, JAPAN
Authorized representative in EU: MITSUBISHI ELECTRIC EUROPE B.V.

HARMAN HOUSE, 1 GEORGE STREET, UXBRIDGE, MIDDLESEX UB8 1QQ, U.K.